



E&S Serierne

KABOLA Heating Systems B.V.



- 1 Combined thermometer and pressure gauge
- 2 Draught limiter
- 3 Connection to chimney
- 4 Door of combustion chamber
- 5 Flame failure device
- 6 Oil regulator for marine use
- 7 Soot scraper
- 8 Filling and draining valve (Pressure relief valve)
- 9 Thermo couple
- 10 Option for overboil protection device

- 1 Kombineret termometer og trykmåler
- 2 Aftræksbegrænser
- 3 Skorstensforbindelse
- 4 Dør til brændkammer
- 5 Overophedningstermostat
- 6 Olie regulator
- 7 Sodskraber
- 8 Påfyldnings- og aftapningsventil / overtryksventil
- 9 Termostat føler
- 10 Mulighed for beskyttelse mod overophedning

ALWAYS A WARM WELCOME ON BOARD

FÅ EN VARM VELKOMST OM BORD

Dealer / Forhandler:



Import og distribution i Danmark:

Gertsen & Olufsen AS
Savsvinget 4
DK-2970 Hørsholm
Tlf. +45 45 76 36 00
Fax +45 45 76 17 73
www.g-o.dk info@g-o.dk

E&S Serierne

The power supply is not sufficient, but you still want the comfort of central heating on board?

It can be done with the KABOLA E&S series centralheating boilers. By using ingenious techniques they can heat your boat comfortably without using electricity. For this reason these oil-fired boilers are equipped with utterly reliable, mechanical fuel regulators made especially for use on boats and with the traditional vaporizing burners. A central heating system equipped with a boiler from the E&S series, does not need a circulation pump, when it is connected correctly (this can certainly be supplied as an extra with the boiler). As you see, KABOLA can provide heating comfort even without electricity.

Apart from the physical dimensions the heat capacity is the main difference between the E and the S series boilers. Because of the greater capacity the S series has two burners. If you wish, one of the burners can be turned off in the spring when the heating demand is lower. This is better for the environment and the oilstocks.

Safety on board comes before everything else. Thus, KABOLA pays a great deal of attention to the safety of its boilers. For this reason all the models have as standard an oil leakage tray, a draught limiter and flame failure device. When the central heating system has a circulation-pump fitted, it is necessary to fit the boiler with an overboil protection device. Naturally KABOLA has considered this during the design of the E&S series of boilers.

In principle, the E&S series of boilers can be built into any boat. For optimum results we advise you to have the flue installed using stainless steel flue elements and fitting materials from KABOLA.

Of course, KABOLA holds itself responsible for the quality of its products. The production process complies with the highest quality requirements. In addition, the factory gives a 5-year guarantee for faults in material and/or manufacture. The operation of the other components is guaranteed for 1 year.



Få varme i båden uden at bruge elektricitet!

Det kan du få med KABOLA's E&S serier oliebrændere.

Helt uden brug af elektricitet sørger de for, at båden kan holdes varm og tør.

Oliebrænderne er forsynet med pålidelige, mekaniske brændstofregulatorer til fordampningsbrændere, som er udviklet specielt til det maritime miljø.

KABOLA E&S centralvarmere behøver ikke cirkulationspumpe, men hvis forholdene kræver det, kan den leveres som tilbehør.

E-serien og S-serierne adskiller sig ved størrelse og kapacitet. E-serien er den mindste og har kun én brænder, hvorimod S-serien har to brændere. S-serien giver også mulighed for kun at anvende den ene brænder for at spare på brændstof.

Af hensyn til sikkerheden er alle KABOLA's E&S serier forsynet med bakke til oliespild, aftræksbegrænser og sikring for flammesvigt. Hvis cirkulationspumpe monteres, er det også nødvendigt at montere en speciel beskyttelse mod overophedning.

Det anbefales at tilslutte skorsten i rustfrit stål med tilhørende monteringsdele fra KABOLA.

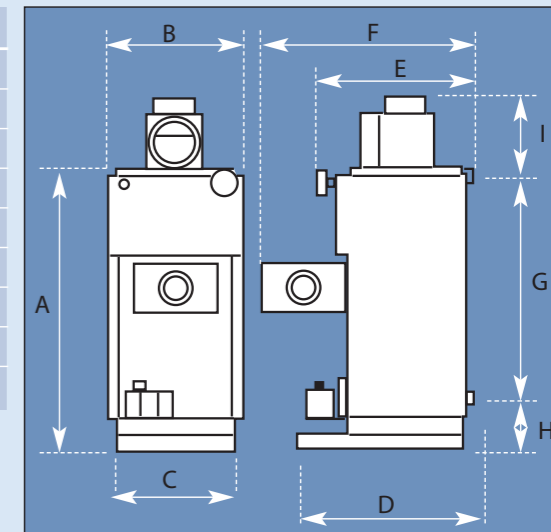
E&S serierne er produceret efter KABOLA's strenge kvalitetskrav. Ud over den lovpligtige garanti yder KABOLA 5 års garanti på produktionsfejl eller fejl i materialer.



TECHNICAL INFORMATION / TEKNISKE SPECIFIKATIONER

DIMENSIONS / DIMENSIONER E&S-SERIERNE

	E3	E5	E7	E10	E12	E14	S14	S20	S28
A	515	550	600	780	840	950	605	805	930
B	315	350	370	370	430	430	580	610	750
C	340	330	330	330	390	390	530	590	705
D	410	440	460	460	520	520	490	480	520
E	370	395	420	420	470	470	415	430	475
F	530	590	640	640	730	730	680	680	720
G	175	380	430	600	660	760	425	610	730
H	315	140	140	140	150	150	150	150	150
I	220	240	240	240	240	240	260	240	240



		E3	E5	E7	E10	E12	E14	S14	S20	S28
Flue gas ø	Diameter på røggasrør	80	100	100	110	130	130	130	130	150
C.H connection	Centralvarme tilslutning	1"	1"	5/4"	5/4"	1,5"	1,5"	1,5"	1,5"	2"
Max. nom.capacity in kW	Nominal max. kapacitet, kW	3,4	5,0	7,1	10,6	11,9	14,3	16	19,8	29,5
Weight, kg	Vægt, kg	30	45	54	64	83	98	95	115	158
Water capacity, l	Vandkapacitet, liter	4	9	13	16	22	26	22	29	42
Exhaust length vertical	Min. codrette									
Minimum length	skorstenslængde	2,5	2,5	2,5	2,5	2,5	3	3	3	3
Burner pot ø	Brænder diameter	7"	7"	8"	8"	10"	10"	2x7"	2x8"	2x10"
Fuel	Brændstof	Diesel	Diesel	Diesel	Diesel	Diesel	Diesel	Diesel	Diesel	Diesel
Fuel consumption min.l/h	Min. forbrug brændstof pr. time	0,18	0,18	0,25	0,25	0,30	0,30	0,30	0,25	0,30
Max. l/h	Max. forbrug brændstof pr. time	0,72	0,96	1,20	1,50	1,68	1,80	2,40	3,0	3,60

All KABOLA boilers have been designed for permanent use.
Alle KABOLA brændere er designede til permanent brug.

